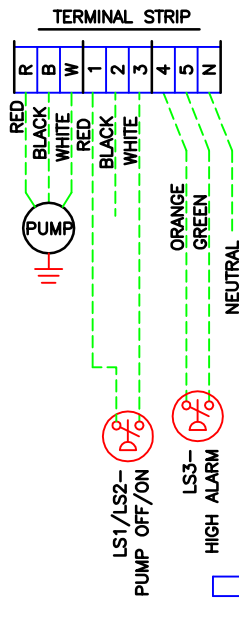
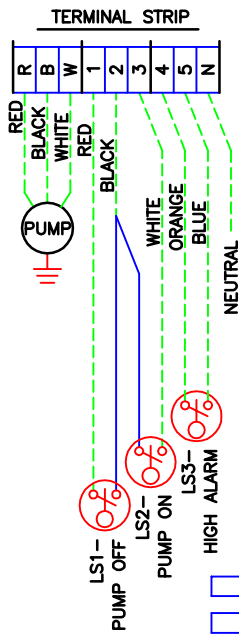
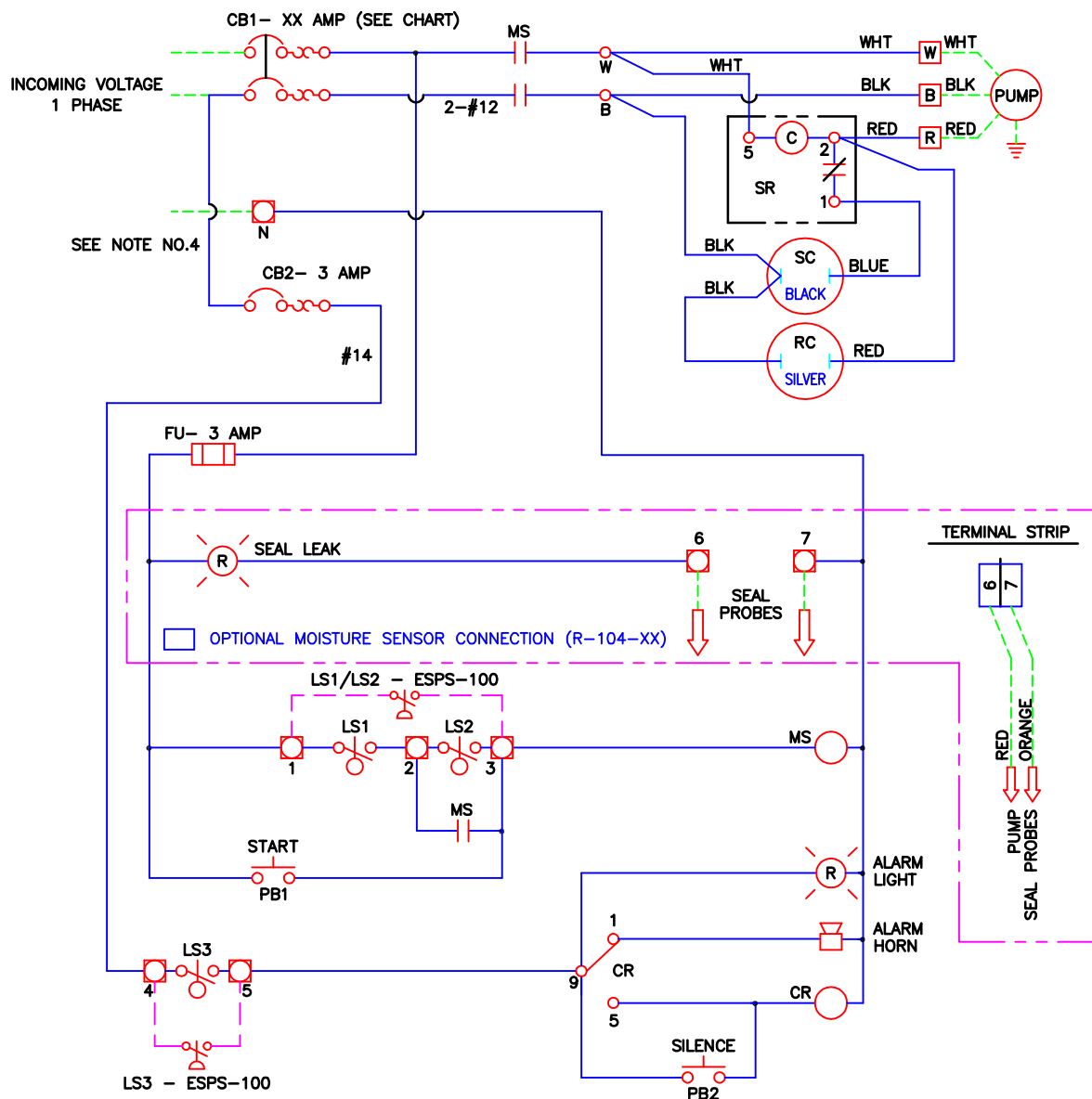


H.P./MODEL	VOLTAGE/PHASE	DUPLEX BREAKER SIZE
2HP SGV	240/1	30 AMP DOUBLE POLE
2HP SGV	200/1	30 AMP DOUBLE POLE



FLOATREE LEVEL CONTROL  
 INDIVIDUAL FLOAT LEVEL CONTROL

ESPS-100 LEVEL CONTROL

- NOTES:
- PANEL GROUND TERMINAL MUST BE CONNECTED TO EARTH GROUND.
  - FACTORY WIRING IS SHOWN \_\_\_\_\_  
FIELD WIRING IS SHOWN - - - - -
  - RECOMMENDED TIGHTENING TORQUES FOR TERMINALS HIGH VOLTAGE POWER 30 POUND INCHES. 120 VOLT POWER, CONTROL & LOW VOLTAGE - 20 POUND INCHES.
  - REMOVE JUMPER FOR 2 CIRCUIT POWER SUPPLY.
  - PUMP MOTOR INCLUDES INTEGRAL OVERLOAD PROTECTIVE DEVICE.

**STEALTH**  
CONTROL PANELS



THIS PRINT IS AND CONTAINS PROPRIETARY INFORMATION OWNED EXCLUSIVELY BY CRANE PUMPS & SYSTEMS, INC. THIS RESTRICTION INCLUDES, BUT IS NOT LIMITED TO THE CONDITION THAT THIS PRINT WILL ONLY BE USED AS A RECORD OR TO IDENTIFY OR INSPECT PARTS OR FOR OTHER INFORMATION PURPOSES, AND WILL NOT BE USED TO MANUFACTURE OR PROCURE THE MANUFACTURE OF THE PARTS SHOWN IN THIS PRINT BY ANY OTHER SOURCE THAN CRANE PUMPS & SYSTEMS, INC.

THIS DRAWING IS APPROVED FOR UNCONTROLLED DISTRIBUTION

AS A RESULT OF BARNES CONSTANT PRODUCT IMPROVEMENT PROGRAM, PRODUCT CHANGES MAY OCCUR. AS SUCH, BARNES RESERVES THE RIGHT TO CHANGE PRODUCT WITHOUT PRIOR WRITTEN NOTIFICATION

WWW.BARNES-PS.COM

SHEET 1 OF 1

TITLE

PANEL, STEALTH-R-102&104-22&-20

DWG NO

CD118806

REV

A

**CRANE**

PUMPS & SYSTEMS



CAGE NO

96046